

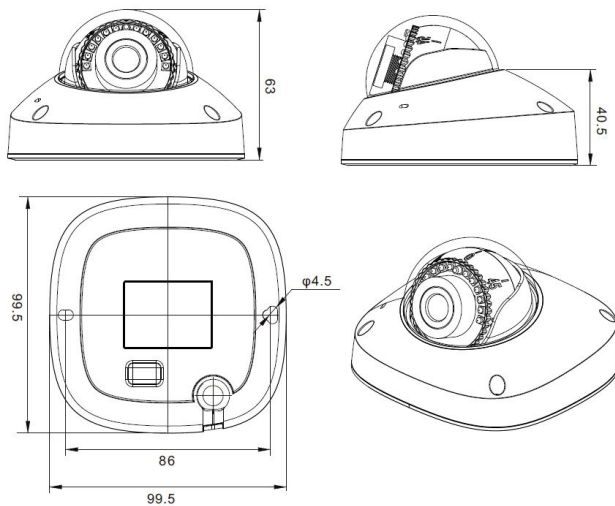


The N1504 is a 4 megapixel indoor IP camera with a 2.8mm fixed lens, wide dynamic range and built-in IR illumination. Paired with a compatible Kastle Gateway, this camera benefits from superb image quality during the day and night, cloud management and video analytics. It is ONVIF compatible and supports RTSP streaming for video.

## FEATURES

- ✓ 1/2.8" progressive scan CMOS
- ✓ 2.8mm fixed lens
- ✓ Multiple Streams
- ✓ Smart IR Up to 49.2 ft
- ✓ WDR, 2D/3D DNR

## DIMENSIONS



Dimensions of Dome (Unit:mm)

## Product Number

N1504 201818

CAMERA	
Image Sensor	1/2.8" Progressive scan CMOS
Min. illumination	Color: 0.2 Lux @ (F1.6, AGC ON), B/W: 0 Lux @ (IR LED ON)
Day & Night	Auto(ICR)/Day/Night/Time
Shutter Speed	Auto/Manual, 1/5 ~ 1/20,000s
Iris	Fixed Iris
Wide Dynamic Range	True WDR
Noise Reduction	2D/3D DNR
Lens	2.8mm fixed lens
Angle of View	H: 93.4°, V: 69.1°
IR Range	Up to 49.2 ft
VIDEO	
Bit Rate (CBR/VBR)	Stream1: 200Kbps ~ 12Mbps Stream2: 100Kbps ~ 6Mbps Stream3: 100Kbps ~ 3Mbps
Max. Resolution	2592x1520
Codec	H.264 High Profile
NETWORK	
Network Protocols:	IPv4/IPv6, 802.1x, HTTP, HTTPS, TCP/IP, UDP/IP, RTSP, DHCP, NTP, RTCP/RTP, PPPoE, SMTP, DNS, UPnP, FTP, ARP, SNMP, TLS/SSL
Security	User security authentication, Reset, Hardware Watch Dog
System Compatibility	ONVIF
Ethernet	1 Ethernet (10/100 Base-T) RJ-45 Connector
GENERAL	
Power Supply	DC12V/POE (IEEE 802.3af)
Power Consumption	6W(MAX)
Operating Temperature	-40°C ~ 55°C (-40°F ~ 131°F)
Operating Humidity	Less than 90% RH
Approvals	CE /FCC
Product Dimensions	99.5x99.5x63.3mm (3.92 x3.92 x 2.49)
Product Weight	0.79 lbs.

